

For use with Dual TO-220 packages

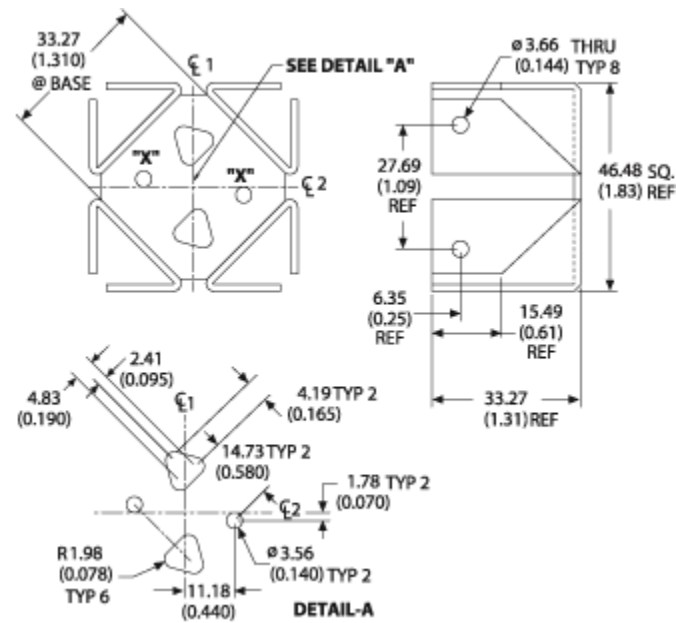
Part Number - 569022B00000G

RoHS 
 Compliant

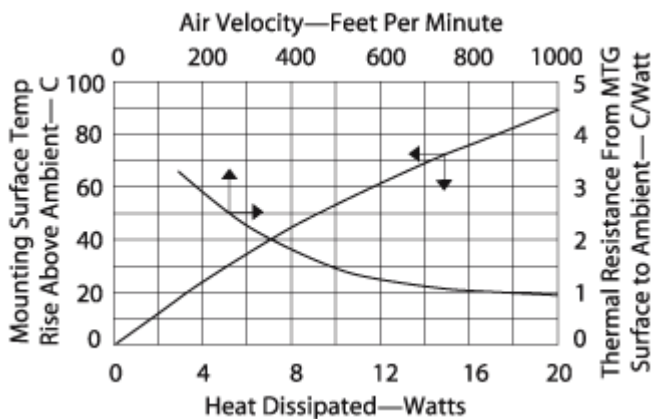
Product 
 Change
 Notice



Mechanical Outline Drawing



Thermal Curves



Thermal Resistance	5.50
--------------------	------

Thermal resistance value is based on a 75°C rise in natural convection

Product Information

Part #	Description	Finish	Board Mounting
569022B00000G	Square basket heat sink features folded back fins	Black Anodize	N/A